



| | | |
|---|--------------------|-----------------------|
| Course Name: Principles of Electrical Engineering | Code: EEC211 | Level: 2 |
| Final Term Exam, January, 2016 | No. of pages(#): 4 | Time allowed (3) hrs. |

Attempt to answer the following questions:

Problem (1) 15 Degree

A) Find the unknown quantities in the circuits of Fig.1 using the information provided.

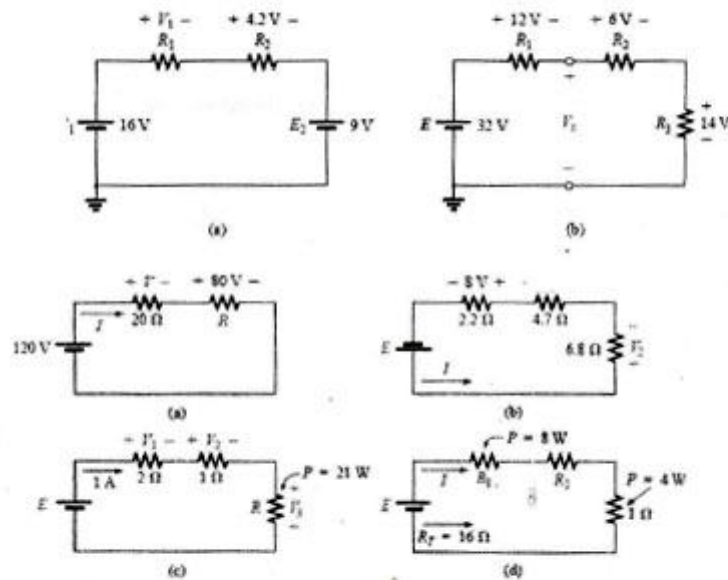


Fig.1

B) For the network of Fig. 2, using the voltage divider rule, determine the voltages:
 a. V_1 , V_3 and V

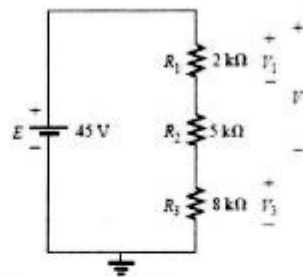


Fig2

Problem (2) 15 Degree

A) Find the unknown quantities for the circuits of Fig. 3 using the information provided.

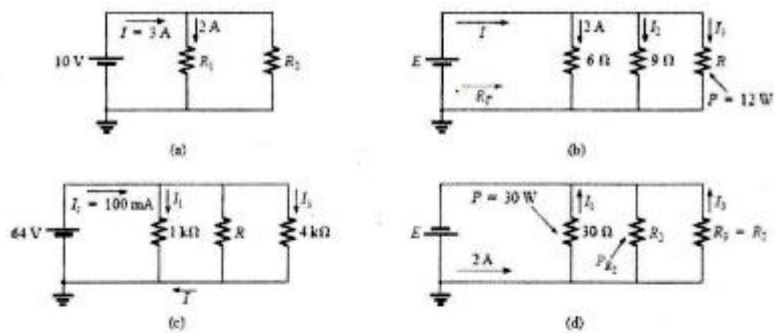


fig 3

B) In the circuit diagram shown in figure4 calculate the following:

- 1- R_1
- 2- I_5
- 3- I_2
- 4- V_1
- 5- I_4
- 6- V_5